

FIG.1

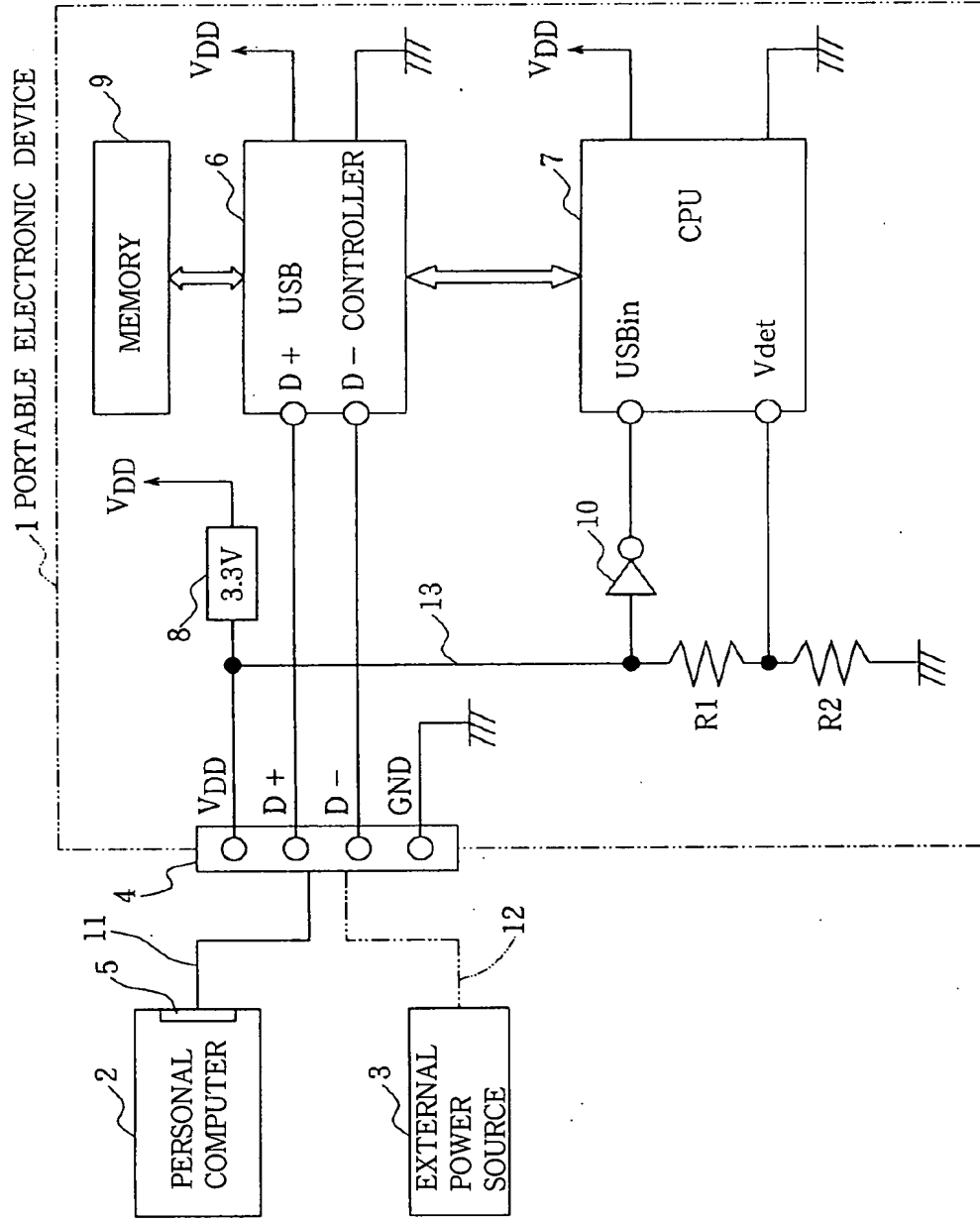
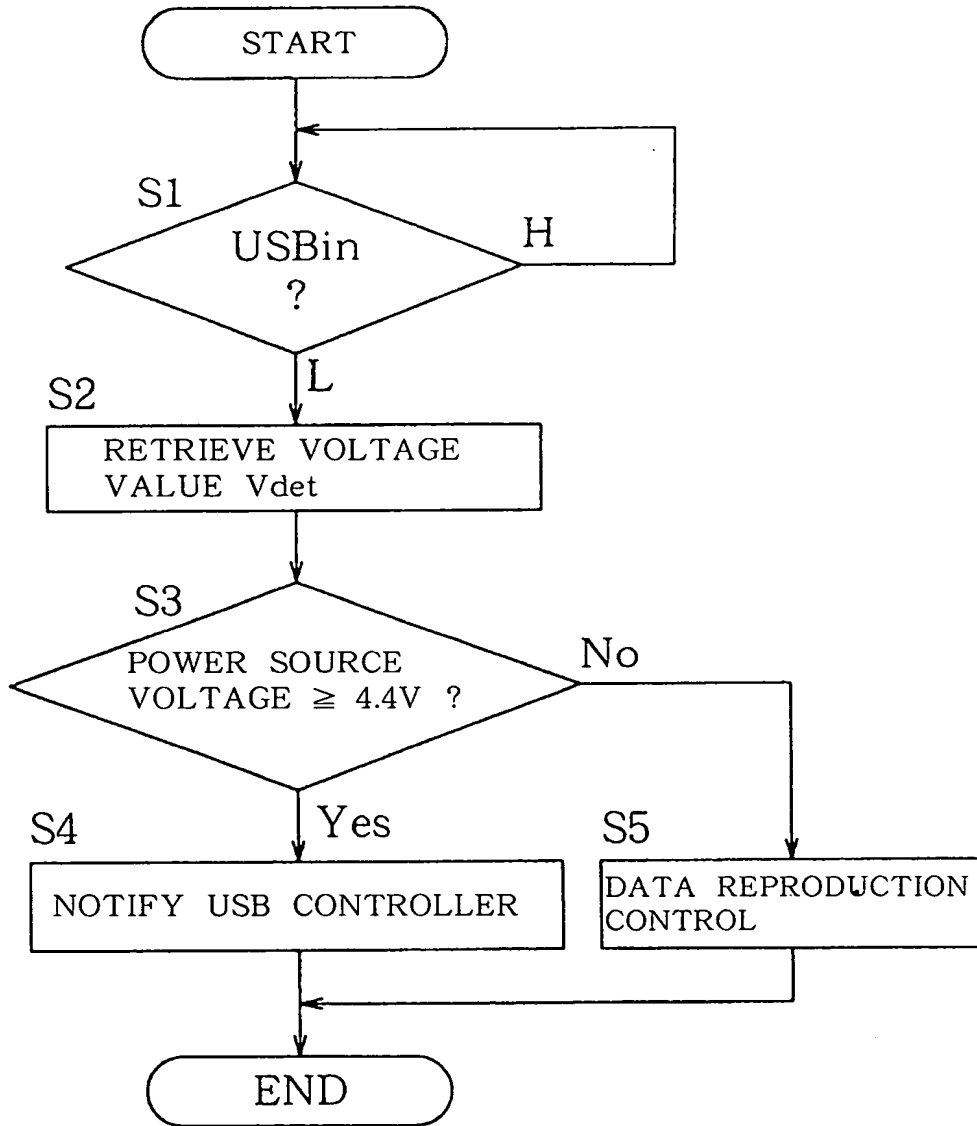


FIG.2



09741013 . 1. 22. 1. 00